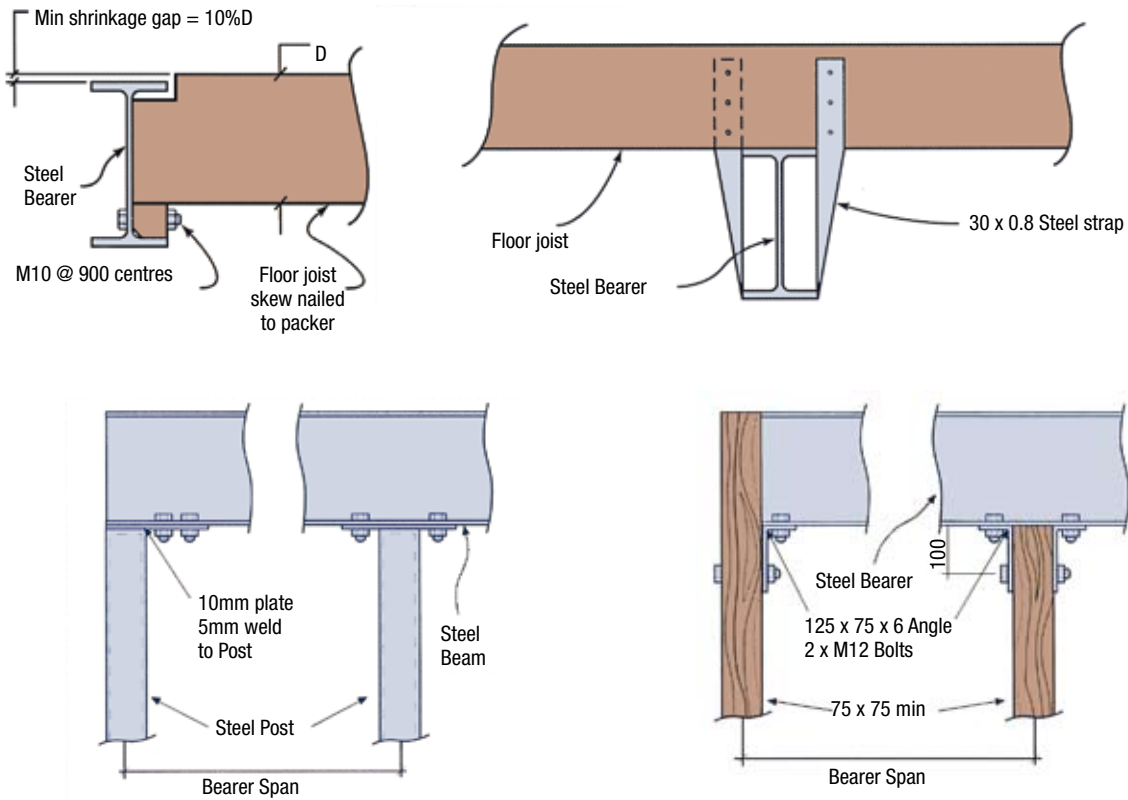


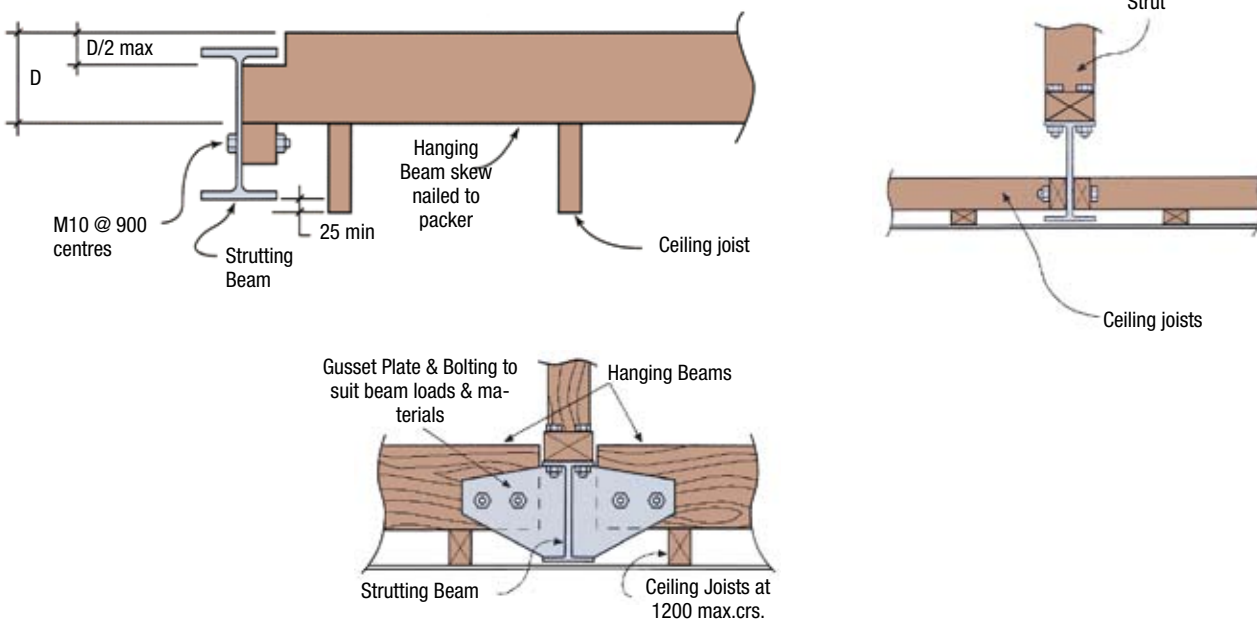
# CONNECTION EXAMPLES

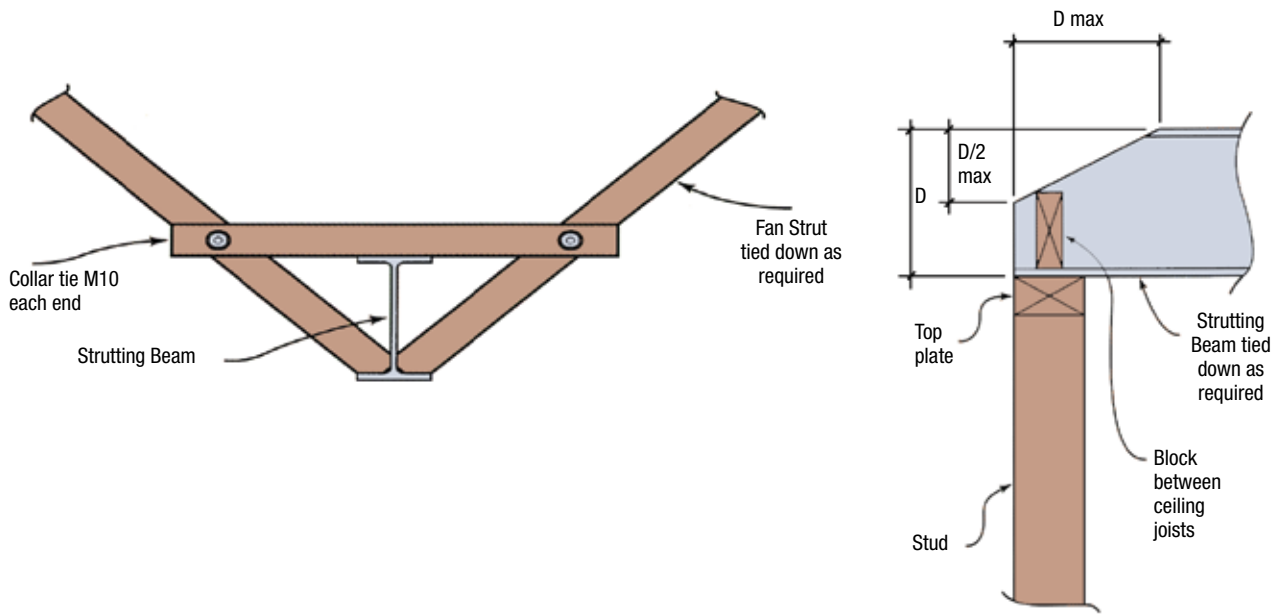
The following diagrams provide some example arrangements for common connections using structural steel members. Please note that it is the reader's responsibility to ensure that all connections, including tie downs, are sufficient for the application.

## BEARERS

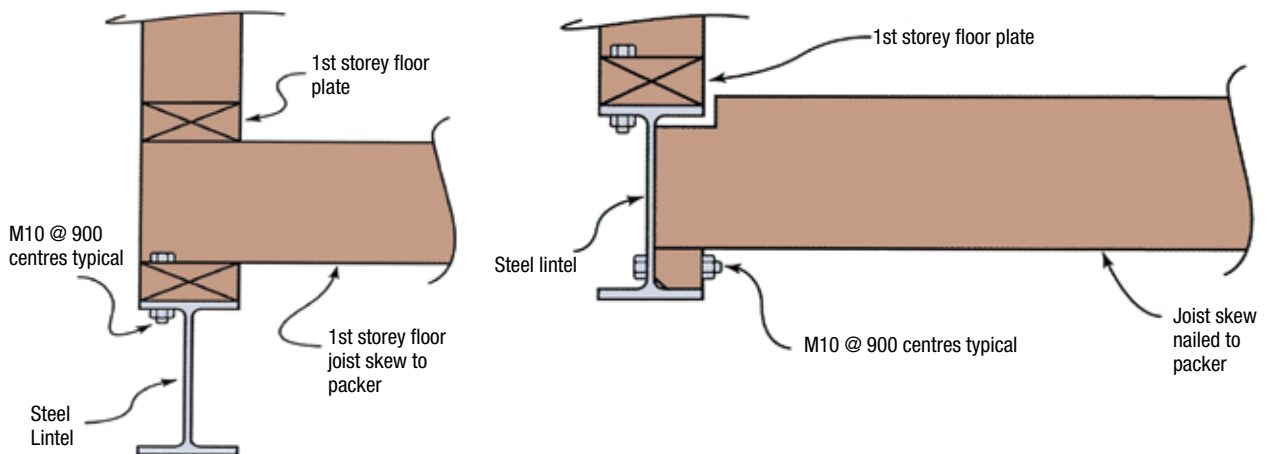
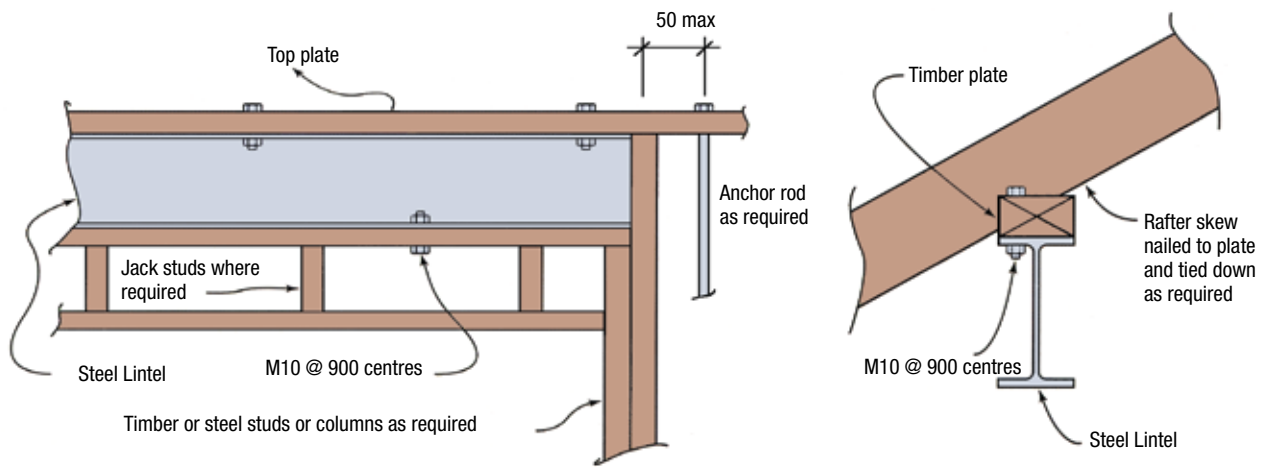


## STRUTTING BEAMS





## LINTELS





## STRUCTURAL STEEL IN HOUSING - THIRD EDITION



*Structural steel is playing an increasingly important role in traditional and medium density housing with its versatility, strength and competitive price.*

*OneSteel produces a unique range of steel beams, columns, channels and angles which are suitable for use in domestic housing as floor bearers, joists, roof strutting beams, lintels, piling and other applications.*

*This booklet has been compiled to assist builders, draftspersons and designers to specify and use OneSteel's range of structural steel. It contains span tables, surface treatment specifications and installation details on the use of OneSteel's structural steel products in various residential building applications.*

## **CONTENTS**

<b>Benefits of OneSteel's Structural Steel.....</b>	<b>1</b>
<b>Product Description and Range.....</b>	<b>2</b>
<b>Span Table Design Data.....</b>	<b>4</b>
<b>Letter of Certification.....</b>	<b>5</b>
<b>Bearers .....</b>	<b>6</b>
<b>Strutting Beams.....</b>	<b>8</b>
<b>Strutting/Hanging Beams .....</b>	<b>10</b>
<b>Lintels Supporting Roof .....</b>	<b>12</b>
<b>Lintels Supporting Roof and Floor.....</b>	<b>14</b>
<b>Lintels Supporting Strutting Beam .....</b>	<b>16</b>
<b>Verandah Beams.....</b>	<b>18</b>
<b>Steel Sheet Roofs in High Wind Areas .....</b>	<b>20</b>
<b>Lintels Supporting Masonry .....</b>	<b>22</b>
<b>Connection Examples .....</b>	<b>24</b>
<b>Surface Treatment.....</b>	<b>26</b>
<b>Other Publications.....</b>	<b>28</b>





# personalise your experience

## My Needs. My Solutions. MyOneSteel.

### STEEL ADVICE AROUND THE CLOCK

If you're looking for **advice on steel**, then at OneSteel's website you'll find everything from A to Z, covering the **largest range of steel products and services**, technical information, design aids, case studies, shareholder information, where your steel suppliers are, and much more, it's **your 24 Hour reference**.

### FULLY PERSONALISED FOR YOUR NEEDS

**MyOneSteel** is one of the latest enhancements to the OneSteel website. The new design allows for each user to register and then personalise a homepage to suit their interests. This allows **faster access to the information you want**, without the things you don't need by selecting your products, your news – **everything that matters to you and for your business**.

FREECALL 1800 178 335 WEBSITE [www.onesteel.com](http://www.onesteel.com) EMAIL [onesteeldirect@onesteel.com](mailto:onesteeldirect@onesteel.com)



**onesteel**  
market mills

[www.onesteel.com](http://www.onesteel.com)



**onesteel**  
market mills

## ONESTEEL DIRECT

Freecall 1800 178 335

Website [www.onesteel.com](http://www.onesteel.com)

Freefax 1800 101 141

Email [onesteeldirect@onesteel.com](mailto:onesteeldirect@onesteel.com)

Postal address

Locked Bag 8825

Wollongong DC

NSW 2500 Australia

DISTRIBUTED BY

This publication has been prepared by OneSteel Market Mills which OneSteel Manufacturing Pty Limited ABN 42 004 651 325 is a part. Please note that any specifications or technical data referred to in this publication are subject to change and/or variation or improvement without notice and no warranty as to their suitability for any use is made. Users of this publication - to ensure accuracy and adequacy for their purposes - are requested to check the information provided in this publication to satisfy themselves as to its appropriateness and not to rely on the information without first doing so. Unless required by law, the company cannot accept any responsibility for any loss, damage or consequence resulting from the use of this publication. This publication is not an offer to trade and shall not form any part of the trading terms in any transaction. © Copyright 2003-2006. Issue 6. Printed March 2006. BC0379. Registered Trademarks of OneSteel Manufacturing Pty Limited ABN 42 004 651 325: 300PLUS®.

9 320075 046118

